

March 1991

Officers

President	Jack Foster
Vice-President	Mike Neupauer
Treasurer	Marcia Lamphier
Secretary	Art Fovarque
Newsletter	Jody Hess

March 11 - 7pm VALLEY WELLNESS CENTER.

Martha Edwards will give a slide presentation on the Fourth Annual Bike Virginia. This Year Bike Virginia is called the "Shenandoah Valley Odyssey" as the route travels from Lexington to Berryville. Overnight stops are in Staunton, Bridgewater, Woodstock & Winchester. The tour starts Friday June 21st. Whether you plan to ride or not, don't miss this meeting, it will be both informative and entertaining.

CYCLING CALENDAR

The following events are planned and so mark your new 1991 calendars:

- April 20 - HARRISONBURG CYCLING CLASSIC
Downtown Harrisonburg Criterium.
(NO SNOW THIS YEAR!)
- April 21 EARTH DAY '91
Rides and Displays
- May 5 CLEAN AIR CHALLENGE -
Kick off Clean Air Week - Rides of 8, 25, 62
miles, hikes, food. Hosted by Massanutten Resort.
Environmental Watchdog and other volunteers needed
- call Rita or Rose 434-5804
- May 9-10 TOUR DU PONT (Tour de Trump reincarnated).
Professional Stage Race.
Will likely pass through Rockingham Co. (if not
Harrisonburg itself).
- June 7-10 GEAR '91 Williamsburg, VA. LAW Rally.
Multitudinous tours of all lengths, workshops.
- June 18-23 U.S. BICYCLING CLASSIC AMATEUR STAGE RACE,
Wheeling to Charleston, WV with stage finishes in
Canaan Valley and Snowshoe.
- June 21-26 BIKE VIRGINIA - 5 day tour down the Shenandoah
Valley.
- Sept 8 (or so) 9TH ANNUAL SHENANDOAH VALLEY CENTURY
- Oct 11-13 Colonial Virginia Trek, ALAV, Williamsburg, VA

MAILBAG

The SVBC gets much information on tours, workshops, etc. via the postal service. The senders of this information desire wide coverage and so we'll list some of the most recent. If you are interested further, either Jack Foster or Art Fovargue has further details - so call them.

THIRD ANNUAL BIATHLUNG 4/20/91

ALAV 804-846-1829 or 1-800-345-LUNG, Campbell Co, VA

Pedal for Power, League of American Wheelmen, 5/11-6/27

L.A. to Boston; 9/21-10/12 Portland, Maine to Orlando, FL.

1991 LAW National Rally nad Probike North West 91, 7/3-7/7
Olympia, WA

California North Tour 4/27/5/1

Sponsored by the Sacramento BRR. Sacramento to San Francisco.

Progressive Travels 1991 Tour Catalog

Luxury cycling and walking tours, domestic & European

Baumeler Europe 1991

Biking and Hiking catalog

Ride around Wyoming 6/8-6/14

Bike Virginia 6/21-6/21

Mountain River Tours (rafting) Hico, WV

Our club is an affiliate of the
**League of American
Wheelmen**

Affiliation with the League means:

- Special publications
- Free club event advertising
- BICYCLE USA magazine
- Advocacy in Washington and the state capital.
- Support for our local advocacy efforts.
- Low cost club insurance

The club encourages all members to join the League, band together with bicyclists around the nation and add to our treasury. . .

League of American Wheelmen

6707 Whitestone Road

Suite 209C1

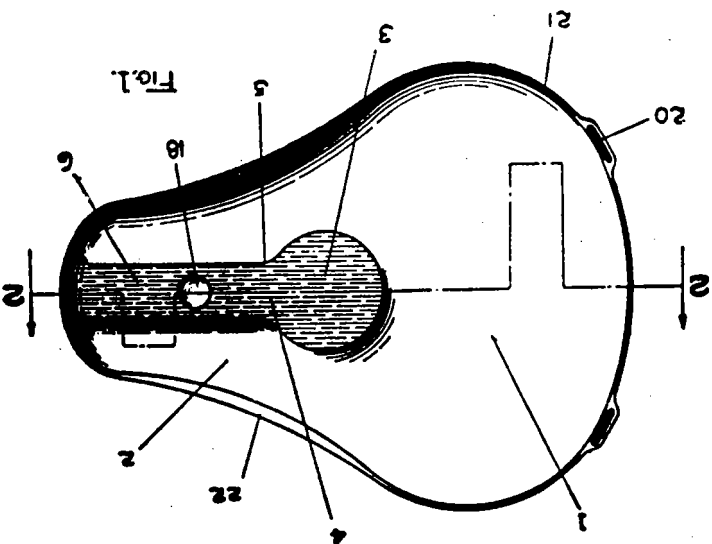
Baltimore, MD 21207-4106

(301)944-3399

3rd Bicycle Seat
Patent No. 1,538,524 (1925)
Fred Biele of Indianapolis, Indiana

It is a primary object of my invention to provide a bicycle or motorcycle saddle having a suitable cavity properly located to allow comfortable clearance for the private organs of the male rider, said saddle having also a channel adapted to allow clearance for the female rider's private organs, to prevent pressure at the opening of said organs due to the weight of the rider, and tending also to keep said organs in a naturally closed state, the sides of said channel being substantially parallel and bell-mouthed.

Referring to Fig. 1, a somewhat circular cavity 3 is formed on a medial line of the apparatus as a whole, at the junctions of said extension with said larger seating portion. Said cavity is of suitable size, shape and location to comfortably receive the private organs of a male rider and more particularly the testicle region of such rider. Said opening of bell-mouthed formation, the bell-mouth character thereof being formed on the upper portion of said opening [Fig. 2]. Such bell-mouthed formation is particularly useful to the comfort of the male rider both during the riding act and also during the mounting or dismounting acts.



from: Mousetraps and Muffling Cups: One Hundred
brilliant and bizarre United States Patents.
by Kenneth Lasson. New York: Arbor House, 1986

SHENANDOAH VALLEY BICYCLE CLUB MEMBERSHIP APPLICATION

If this box is checked, your dues expire this month.

Name(s) _____ Phone _____

Address _____
street city state zip

Check type of membership desired:

INDIVIDUAL (\$7) FAMILY (\$10) JUNIOR (12-16 Yrs.) (\$4)

NOTE: Membership begins in March of this year, and lasts until next March.

PLEASE INDICATE YOUR INTERESTS BELOW

RIDE CLASS DESIGNATION	APPROX. SPEED (MPH)	APPROX. DISTANCE (MILES)	CHECK HERE
A	14-22	25-100	_____
B	12-16	15-60	_____
C	8-12	10-35	_____
D	less than 10	5-15	_____

INDICATE TYPE(S) OF CYCLING IN WHICH YOU ARE INTERESTED

Racing Off-Road Recreational Overnight Tours Other (specify)

WOULD YOU BE INTERESTED IN SERVING ON ANY OF THE FOLLOWING COMMITTEES?

Racing Touring Program Safety Century

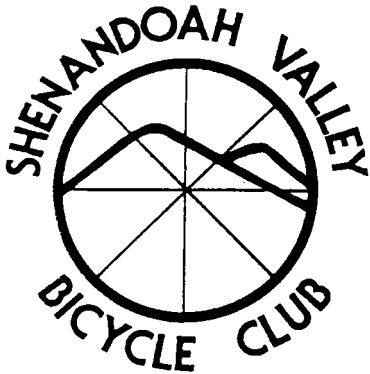
SHENANDOAH VALLEY BICYCLE CLUB RELEASE

All club members must sign the release below. For persons under the age of 18, the parent or guardian must sign. Any person riding on an invitational status must furnish a release. This signed release will remain in effect as long as the Club is officially active.

In signing this release for myself, or for the named entrant, I hereby agree to absolve and hold harmless the Club, the Club officers, and the members, also any others connected with events sponsored by the Club in any way whatsoever, for blame or liability for any injury, misadventure, harm, loss, or inconvenience suffered. I understand that the Club is not responsible for and is not an insurer of my personal safety. I also hereby consent to and permit emergency medical treatment in the event of injury or illness. I shall abide by traffic laws and practice courtesy and safety in cycling.

signature of Club member or applicant date signature of parent or guardian of member under 18

RETURN TO: Shenandoah Valley Bicycle Club, P.O. Box 1014, Harrisonburg, VA 22801



P.O. Box 1014
 Harrisonburg, VA
 22801

printed on recycled paper

Cool Breeze Cyclery and Mark's Bike Shop contribute to the cost of the monthly newsletters